



# PERMANENT FORMWORK PANEL & VIPAIMANTS

*Ceiling edge formwork for floor slabs.*



## APPLICATION

1/3 minimum of the height of the formwork panel must be anchored in the concrete structure, and the 2/3 left must be free to receive the second phase concreting.

**According to the site configuration, provide shoring support.**

**Sometimes, when aligning two panels, a variation can be seen because of the production tolerance.**

*The stability is guaranteed by the special tool **VIPAIMANT**:*

- **VIPAIMANT PMR H126**: to use without heighten till 2,80m.

- **VIPAIMANT PM H186**: for all the panels.

☛ Formwork panel 300: **ONLY Vipaimant PM H186.**

- **VIPAIMANT GM H290**: for panels 350, 400 and 500mm.

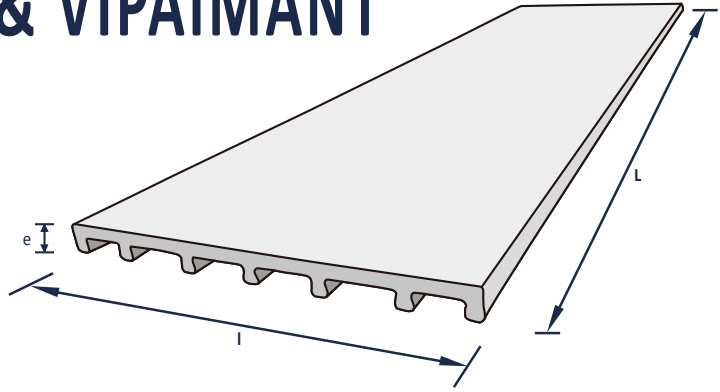
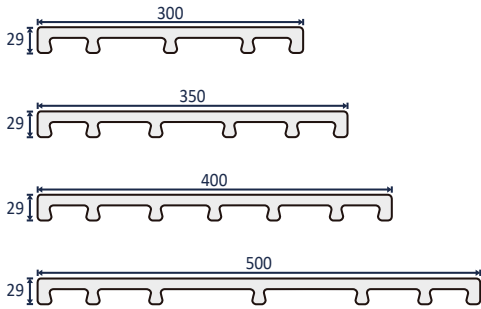


## BENEFITS



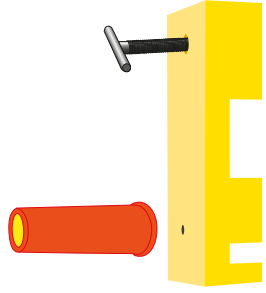
- Practical: easy to install due to its structure.
- High compressive strength.
- High-adherence provided by the dovetails profile.
- Aesthetic: smooth finishing and flawless surface due to the highly compressed concrete. Ready to be coated.
- Longevity: frost and bad weather resistant, during the years.
- Ecological: minimize wastes.
- Cost-effective: lower investment than conventional formwork.



# FIBRE-REINFORCED CONCRETE PERMANENT FORMWORK PANEL & VIPAIMANT



CONCRETE INFORMATION	
CRITERIA	FIBRE-REINFORCED CONCRETE
Density	2200 Kg/m <sup>3</sup>
Compressive strength	C40/50
% of water absorption	< 7%
Dimensional tolerance	+/-5mm sur la largeur (l) ; +/-10mm sur la longueur (L)
Components	Portland cement ; limestone filler; fly ash ; sand ; adjuvants; water; polypropylene fibre.

For all the panels		For panels: 350, 400 and 500
PMRH126	PM H186	GM H290
		

PRODUCT INFORMATION							
Permanent formwork panel - Fibre reinforced concrete   Vipaimants   Anchoring cones							
Référence	Désignation	Dimensions l (Δ±5) x L (Δ±10) x e (mm)	Poids un. (Kg) Δ ±5%	Un. / palette	ml. / palette	Poids /palette (Kg) Δ ±5%	Format / palette l x L x H (mm)
CRBF300L1200	Permanent formwork panel 300	300 x 1200 x 29	13,25	70	84	970	1200 x 1300 x 750
CRBF350L1200	Permanent formwork panel 350	350 x 1200 x 29	15,55	70	84	1130	1200 x 1300 x 850
CRBF400L1200	Permanent formwork panel 400	400 x 1200 x 29	18,00	70	84	1300	1200 x 1300 x 950
CRBF500L1200	Permanent formwork panel 500	500 x 1200 x 29	21,20	35	42	785	1200 x 1300 x 650
6AIMCRH126	Vipaimant PMRH126	240 x 126	1,75				
6AIMCRH186	Vipaimant PM H186	150 x 186	2,36				
6AIMCRH290	Vipaimant GM H290	150 x 290	2,85				
6CC16CR	Anchoring cone 16	-- x 160	0,30				
6CC18CR	Anchoring cone 18	-- x 180	0,32				
6CC20CR	Anchoring cone 20	-- x 200	0,34				